

Fillers, Tapes and Sealants

Order Form



Daylight Systems

E-mail roofsealants@brettmartin.com or call 024 7684 1933

COMPANY NAME: SITE CONTACT:

ORDER NO: SITE CONTACT NO:

ORDER DATE: DELIVERY OPTIONS: WEEK ENDING:

COMPANY ADDRESS: STANDARD DELIVERY (3 days) DELIVERY ON:

..... DELIVERY TIME: PRE 10am am BEFORE 6pm

TOWN: DELIVERY ADDRESS:

COUNTY: POSTCODE:

TEL: TOWN:

..... COUNTY POSTCODE:

FOR HELP WITH ORDERING AND PRODUCT LISTS PLEASE REFER TO THE DIAGRAMS OVERLEAF OR CONTACT SALES OFFICE ON 024 7684 1933

STANDARD FILLERS

QTY	MANUFACTURER/PROFILE	COLOUR	FLUTE	OVERALL EXTENDED BASE	ADHESIVE PROFILE	ADHESIVE BASE	VENTED PROFILE	VENTED BASE

RAKED FILLERS

QTY	MANUFACTURER/PROFILE	COLOUR	FLUTE	HANDING (LEFT/RIGHT)	ROOF SLOPE (DEGREES)	PLAN ANGLE (DEGREES)	NOTES
							Plan angle required for all HIP and VALLEY rakes
							Roof Slope required for ALL rakes

TAPES/SEALANTS/ADHESIVES

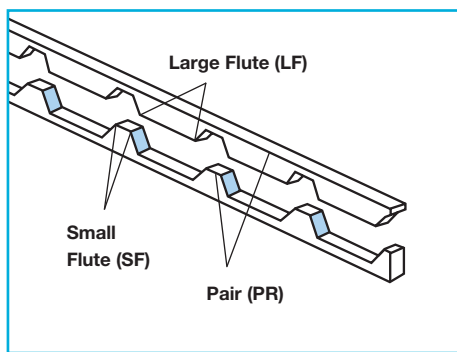
QTY	COLOUR	DESCRIPTION/CODE

CARRIAGE CHARGE

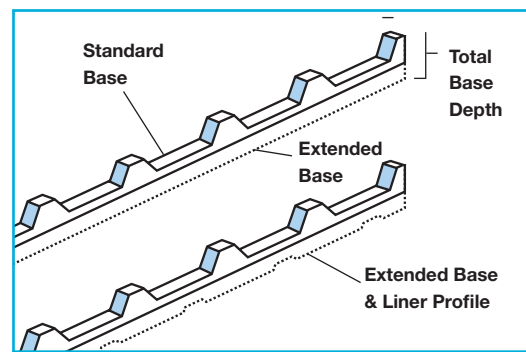
PRODUCT LIST

MATERIAL	WIDTH	MATERIAL CODE	BLACK	WHITE	LICORICE	NEUTRAL
Standard Fillers PEL	25mm	0625	•	•	•	
	30mm	0630	•	•		
	50mm	0650	•	•		
Supaseal	25mm	1025	•	•		
	50mm	1050	•			
Firestop - 1-6 hours		C144				•

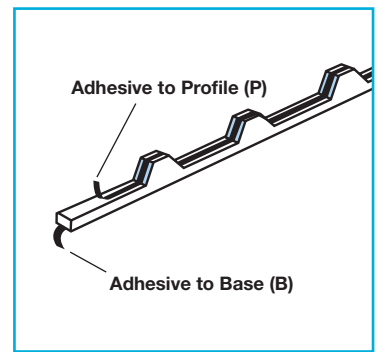
FLUTE



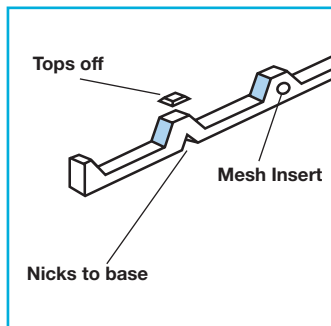
BASE DEPTH LINER PROFILE



ADHESIVE



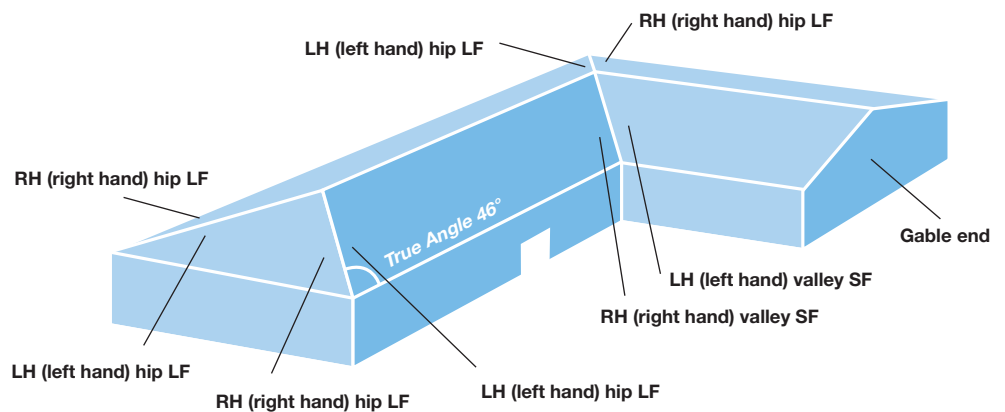
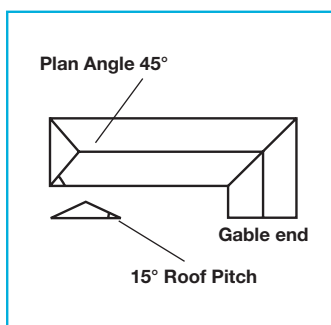
VENTILATION



Either: Plan angle° & roof pitch° & LF/LH
or: true angle° & LF/LH

We only use high performance butyl mastic. Guaranteed watertight when installed correctly.

PLAN DRAWING



E-mail roofsealants@brettmartin.com or call 024 7684 1933