

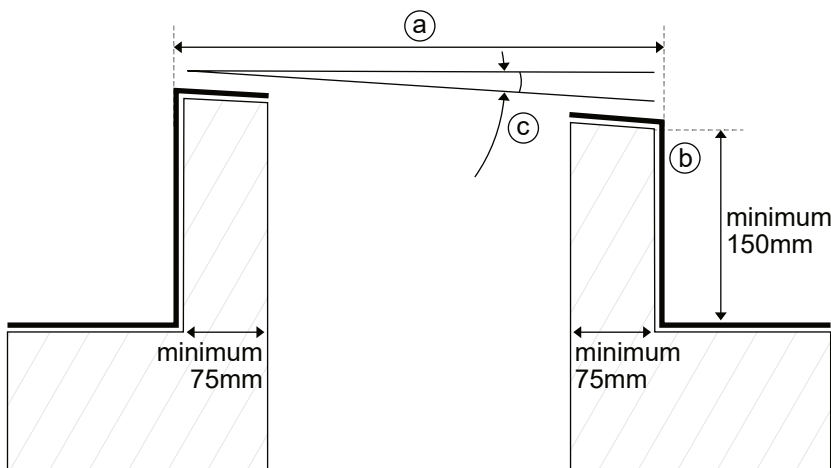
Flat Glass



TB401

Powered Opening Flat Glass Rooflight Builders upstand and pitch requirements

Upstand and pitch requirements



- Ⓐ Finished insulated and weathered upstand external dimension: Nominal Rooflight size (+40/-20mm)
- Ⓑ Roof covering should cover side and top of insulated upstand in accordance with manufacturer's installation recommendations.
NB there should be no excessive build up of layers. The top surface should be level and free from protrusions or projections.
- Ⓒ The rooflight must be mounted at a minimum pitch (dependent on size, shown below) to ensure adequate water runoff. If the roof fall is less than required then the upstand itself should be built with a pitch.

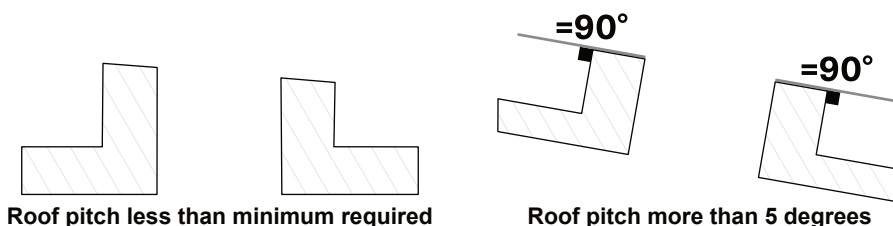
Flat Glass units are suitable for mounting at pitches of 2°-15°.

A minimum pitch of 2° or 4° is required to prevent water ponding on the glass leading to rapid dirt build up. See matrix for minimum pitch according to size.

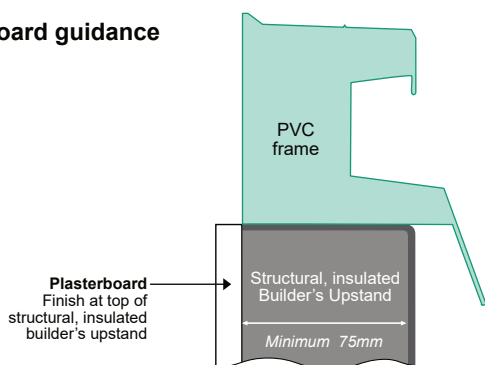
		Unit Length																		
		600	750	900	1000	1050	1200	1350	1500	1650	1800	1950	2000	2100	2250	2400	2550	2700	2850	3000
Unit Width	600	2°	2°	2°	2°	2°	2°	2°	2°	2°	2°	2°	2°	2°	2°	2°	2°	2°	2°	2°
	750		2°	2°	2°	2°	2°	2°	2°	2°	2°	2°	2°	2°	2°	2°	2°	2°	2°	2°
	900			2°	2°	2°	2°	2°	2°	2°	2°	2°	2°	2°	2°	2°	2°	4°	4°	4°
	1000				2°	2°	2°	2°	2°	2°	2°	2°	2°	2°	2°	2°	4°	4°	4°	4°
	1050					2°	2°	2°	2°	2°	2°	2°	2°	2°	2°	4°	4°	4°	4°	4°
	1200						2°	2°	2°	2°	2°	2°	4°	4°	4°	4°	4°	4°	4°	4°
	1350							2°	2°	2°	2°	2°	4°	4°	4°	4°	4°	4°	4°	4°
	1500								4°	4°	4°	4°	4°	4°	4°	4°	4°	4°	4°	4°
	1650									4°	4°	4°	4°	4°	4°	4°	4°	4°	4°	4°
	1800										4°	4°	4°							
1950											4°	4°								
2000												4°								

For finished roof pitches that are less than the minimum needed then the pitch can be built into the upstand.

If finished roof pitch is greater than 5 degrees then the top of the upstand must be perpendicular to the sides and parallel with the roof surface.



Plasterboard guidance



Finish plasterboard at the top of the structural, insulated builder's upstand. Do not cover any of the PVC frame. For more information see TB409.

Annealed, laminated inner pane

These Flat Glass rooflights are manufactured using double glazing which includes an inner pane of annealed, laminated safety glass, which prevents falling glass in the event of accidental breakage, for the safety of those below the rooflight.

In some circumstances, annealed, laminated safety glass can be subject to thermal stress fracture in the event of uneven heat build-up directly under the glass. Installation of blinds, or any other alterations made to the lightwell below the rooflight, must be done so with consideration to the risk of thermal stress fracture. In the case of blinds, the risk of thermal stress fracture can never be fully removed, but it can be reduced by choosing light coloured blinds, positioning them as far away from the glass as possible, and including ventilation in the rooflight specification.



More detailed guidance can be obtained upon request.



① TECHNICAL SUPPORT: For any technical information/queries please contact your supplier.

The manufacturer operates a policy of continuous product improvement, and reserves the right to alter specifications at any time without notice. Every effort has been taken to ensure all details contained in this document are correct at the time of going to press but this document should be used only as a guide and does not in any way form part of a contract or warranty. It is the customer's responsibility to ensure that the product is suitable for the actual conditions of use, which are beyond the control of the manufacturer.

Flat Glass



TB401

Powered Opening Flat Glass Rooflight on builders upstand

Contents ! Take care when unpacking ! Check all correct parts are included and undamaged ! Only use fixings supplied		Fixing Quantities <table border="1"> <thead> <tr> <th>Length of Nominal Unit Side (mm)</th> <th>Number of fixings per side</th> </tr> </thead> <tbody> <tr> <td>750 and under</td> <td>2</td> </tr> <tr> <td>751 to 1200</td> <td>3</td> </tr> <tr> <td>1201 to 1650</td> <td>4</td> </tr> <tr> <td>1651 to 1950</td> <td>5</td> </tr> <tr> <td>1951 to 2250</td> <td>6</td> </tr> <tr> <td>2251 to 3000</td> <td>7</td> </tr> </tbody> </table>	Length of Nominal Unit Side (mm)	Number of fixings per side	750 and under	2	751 to 1200	3	1201 to 1650	4	1651 to 1950	5	1951 to 2250	6	2251 to 3000	7
Length of Nominal Unit Side (mm)	Number of fixings per side															
750 and under	2															
751 to 1200	3															
1201 to 1650	4															
1651 to 1950	5															
1951 to 2250	6															
2251 to 3000	7															
		Wall Switch (PCD only) Switch (centre sprung) Remote Control (PCR only) Remote Control with holder Remote Control & Rain Sensor (PCS only) Remote Control with holder Rain Sensor														

! All Health & Safety Regulations must be followed on site throughout the installation process

! **WARNING!** Flat glass units are heavy. Some units may require a mechanical lift.

1 Prepare upstand in accordance with requirements on page 1

2 Mastic/Silicone around top inside edge of upstand

3 Open hinged frame
See 'How to disconnect lid' diagram below if required

! Ensure kerb is supported when open to avoid damage

4 Feed power cable through roof cavity

! Ensure cable is not crushed or damaged

5 Facing hinges upslope, place kerb squarely onto upstand

! Ensure cable is not crushed or damaged

6 Fix to upstand using 125mm kerb fasteners

! For front kerb fasteners, fix **ONLY** through pre-drilled holes to avoid electrical actuator/connections

! See fixing quantities table **!** Do not overtighten fasteners

7 With actuator pin upright, push frame down firmly. Ensure lock is engaged and cannot be lifted by hand

! Remove transport packer

CLICK!

8 Connect electrics (see diagrams on pages 4 & 5)

This should only be completed by a suitably qualified electrician

! How to disconnect lid (if required)

! **TECHNICAL SUPPORT:** For any technical information/queries please contact your supplier. The manufacturer operates a policy of continuous product improvement, and reserves the right to alter specifications at any time without notice. Every effort has been taken to ensure all details contained in this document are correct at the time of going to press but this document should be used only as a guide and does not in any way form part of a contract or warranty. It is the customer's responsibility to ensure that the product is suitable for the actual conditions of use, which are beyond the control of the manufacturer.

SCAN FOR INSTALLATION VIDEO

Flat Glass



TB401

Powered Opening Flat Glass Rooflight on PVC kerb

<p>Contents ! Take care when unpacking</p>	<p>! Check all correct parts are included and undamaged</p>	<p>! Only use fixings supplied</p>	<p>Fixing Quantities</p> <table border="1"> <thead> <tr> <th>Length of Nominal Unit Side (mm)</th> <th>Number of fixings per side</th> </tr> </thead> <tbody> <tr> <td>750 and under</td> <td>2</td> </tr> <tr> <td>751 to 1200</td> <td>3</td> </tr> <tr> <td>1201 to 1650</td> <td>4</td> </tr> <tr> <td>1651 to 1950</td> <td>5</td> </tr> <tr> <td>1951 to 2250</td> <td>6</td> </tr> <tr> <td>2251 to 3000</td> <td>7</td> </tr> </tbody> </table>		Length of Nominal Unit Side (mm)	Number of fixings per side	750 and under	2	751 to 1200	3	1201 to 1650	4	1651 to 1950	5	1951 to 2250	6	2251 to 3000	7
			Length of Nominal Unit Side (mm)	Number of fixings per side														
750 and under	2																	
751 to 1200	3																	
1201 to 1650	4																	
1651 to 1950	5																	
1951 to 2250	6																	
2251 to 3000	7																	
<p>Flat glass rooflight on kerb</p>	<p>Kerb Fastener 55mm</p>	<p>Wall Switch (PCD only) Switch (centre sprung)</p> <p>Remote Control (PCR only) Remote Control with holder</p> <p>Remote Control & Rain Sensor (PCS only) Remote Control with holder Rain Sensor</p>																

! All Health & Safety Regulations must be followed on site throughout the installation process

1 Unit pitch

See page 1 for minimum roof pitch requirements.

If roof pitch is less than the minimum required then furring strips should be used to ensure unit is installed with adequate pitch.

1 Mastic/Silicone around the edge of the roof opening

! **WARNING!** Flat glass units are heavy. Some units may require a mechanical lift.

2 Feed power cable through roof cavity

! Ensure cable is not crushed or damaged

3 Facing hinges upslope, place kerb squarely over roof opening

4 Fix kerb to roof using 55mm kerb fasteners. Remove and retain label

! See fixing quantities table
! Do not overtighten fasteners

5 Install roof covering according to manufacturer's installation recommendations

If required, lightly torch roof covering.

! NEVER apply direct heat or naked flame to the rooflight

! Fit using instructions on kerb label

6 Terminate roof covering in accordance with instructions on retained kerb label

7 Connect electrics (see diagrams on pages 4 & 5)

This should only be completed by a suitably qualified electrician

! **TECHNICAL SUPPORT:** For any technical information/queries please contact your supplier. The manufacturer operates a policy of continuous product improvement, and reserves the right to alter specifications at any time without notice. Every effort has been taken to ensure all details contained in this document are correct at the time of going to press but this document should be used only as a guide and does not in any way form part of a contract or warranty. It is the customer's responsibility to ensure that the product is suitable for the actual conditions of use, which are beyond the control of the manufacturer.



Flat Glass



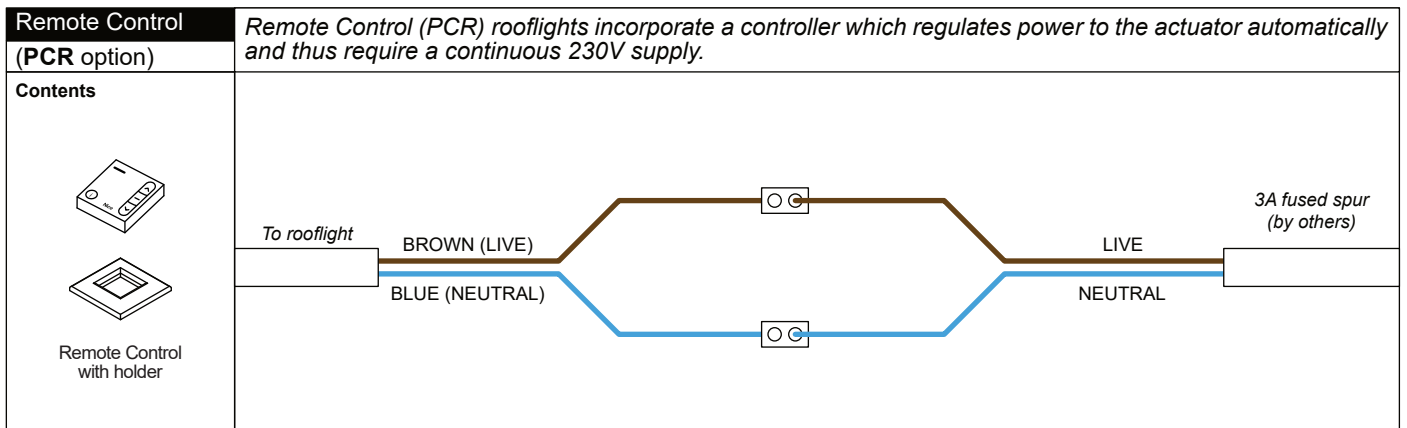
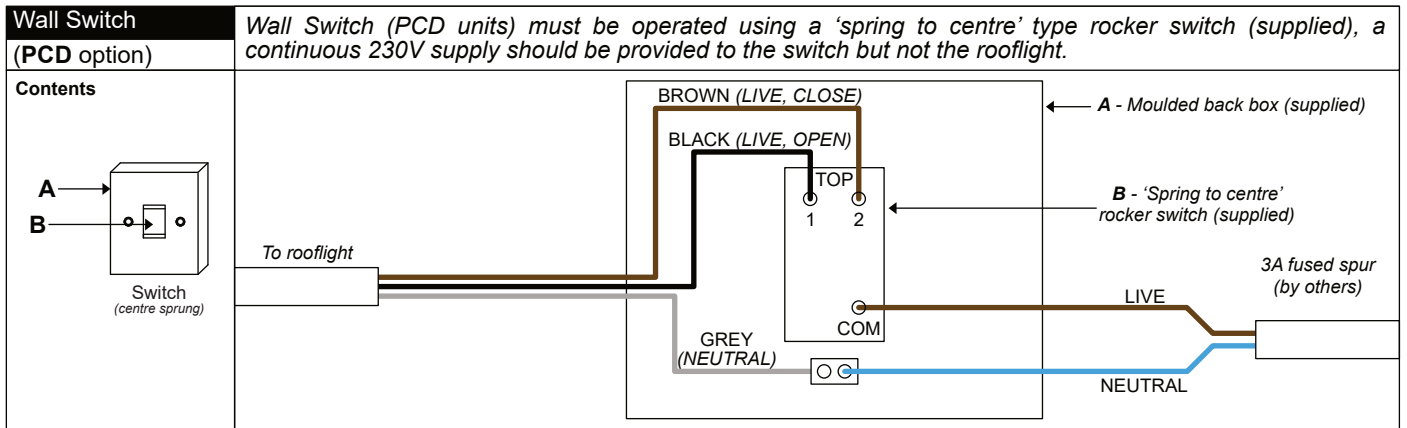
TB401

Powered Opening Rooflight
Electrical Connections
Wall Switch / Remote Control

Connect electrics

ⓘ Please note that all wiring and commissioning must be undertaken by a suitably trained and qualified person. The installer must ensure that all wiring runs, cable thickness and earthing etc. meet current regulations.

230V (AC) actuators must not be operated by supplying continuous power to the actuator; this will damage the actuator over time and void any warranty.



Flat Glass



TB401

Powered Opening Rooflight
Electrical Connections
Remote Control with Rain Sensor

Remote Control with Rain Sensor (PCS option)
Remote Control with Rain Sensor (PCS) rooflights incorporate a controller which regulates power to the actuator automatically and thus require a continuous 230V supply. The rain sensor that comes with PCS units requires a continuous 230V supply and **communicates with the rooflight wirelessly (DO NOT WIRE TO ROOFLIGHT).**

Contents



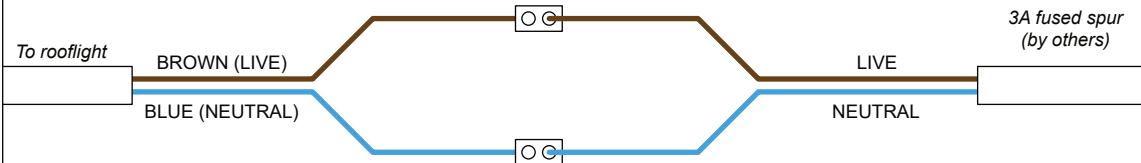
Rain Sensor



Remote Control with holder

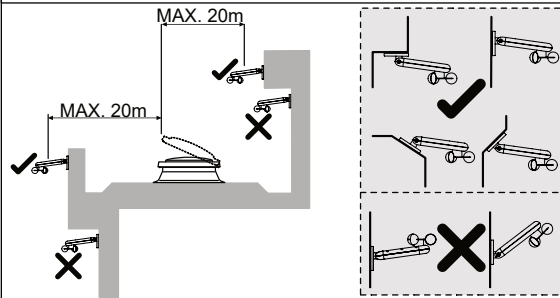
ROOFLIGHT

Rooflight (do not wire rain sensor to rooflight)

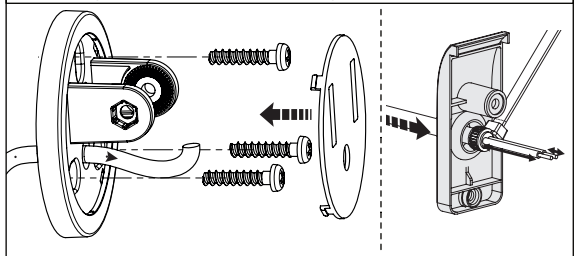


RAIN SENSOR

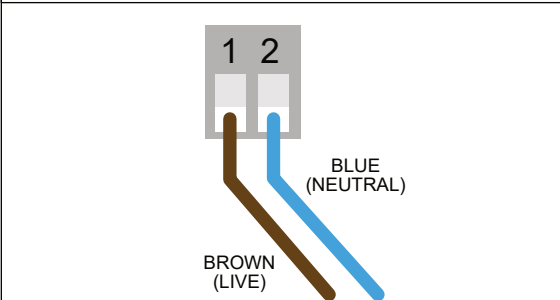
1 - Rain Sensor Identify suitable location for rain sensor. **Must be positioned somewhere it will be hit by rain**



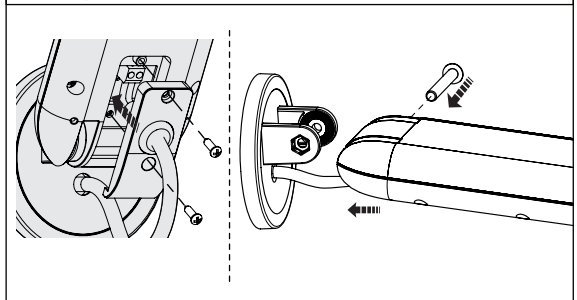
2 Thread 2 core electrical supply cable (3-5A rated flex) through the wall mounting plate, then secure it to the wall. Thread cable through the cover plate and click in place. Thread cable through the back grommet of rain sensor wiring cover.



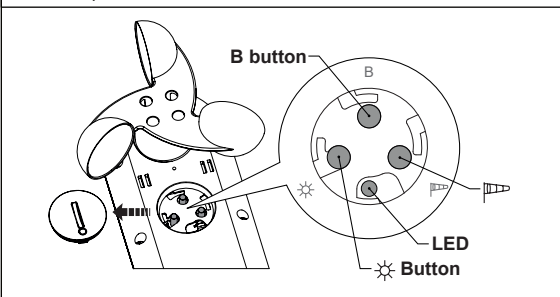
3 Wire into green terminal. LIVE in to slot 1 & NEUTRAL into slot 2



4 Attach wiring cover to the rain sensor. Fit rain sensor to the wall mounting plate.



5 Check amber LED lights up when power is turned on. If not, remove cover and press "B" button, LED should flash red



TECHNICAL SUPPORT: For any technical information/queries please contact your supplier. The manufacturer operates a policy of continuous product improvement, and reserves the right to alter specifications at any time without notice. Every effort has been taken to ensure all details contained in this document are correct at the time of going to press but this document should be used only as a guide and does not in any way form part of a contract or warranty. It is the customer's responsibility to ensure that the product is suitable for the actual conditions of use, which are beyond the control of the manufacturer.