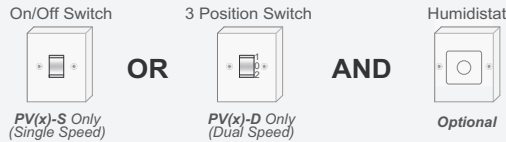


Mardome Contents

Please unpack and check that all correct parts are included and undamaged.

Mardome Powervent Unit Extras (in addition to items on TB186 or TB187)



Mardome Installation

Please note that all Health and Safety Regulations must be followed on site throughout the installation process.

Do not lift or carry the Mardome near the vent grills on the exterior.

Install the Mardome as per Technical Bulletins 186 (for Mardome Trade) or 187 (for Mardome Ultra), passing the power and control cable through to the interior of the room (making watertight).

PLEASE NOTE additional instructions for Mardome Powervent on existing upstand using DF kerb:

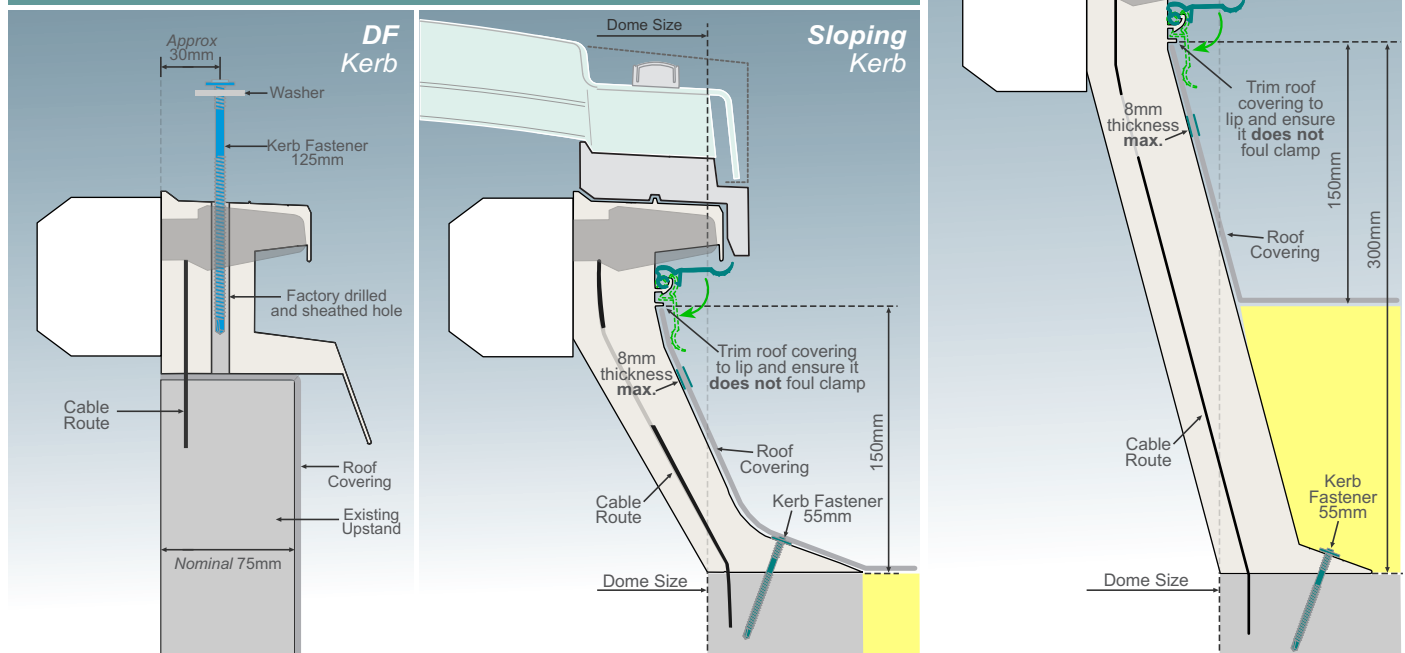
1. KERB FIXINGS - The number of 125mm kerb fixings may vary from those stated on technical bulletins 186 and 187, and will also include additional washers. For Powervent Mardomes, fixing positions in the DF kerb are factory drilled and sheathed to avoid accidental damage to wiring and equipment inside the kerb. See 'DF Kerb' diagram below.

2. DOME FIXINGS - Depending on the unit size, some of the normal polycarbonate dome fixings are replaced by M4 button socket screws which correspond with pre-fitted fixing positions in the top of the DF kerb. It is important these are fitted prior to the normal polycarbonate dome fixings to ensure correct alignment.

Kerb Fixing

All Mardome Trade & Ultra

- Kerb
- Roof Covering
- Structural Member
- Insulation



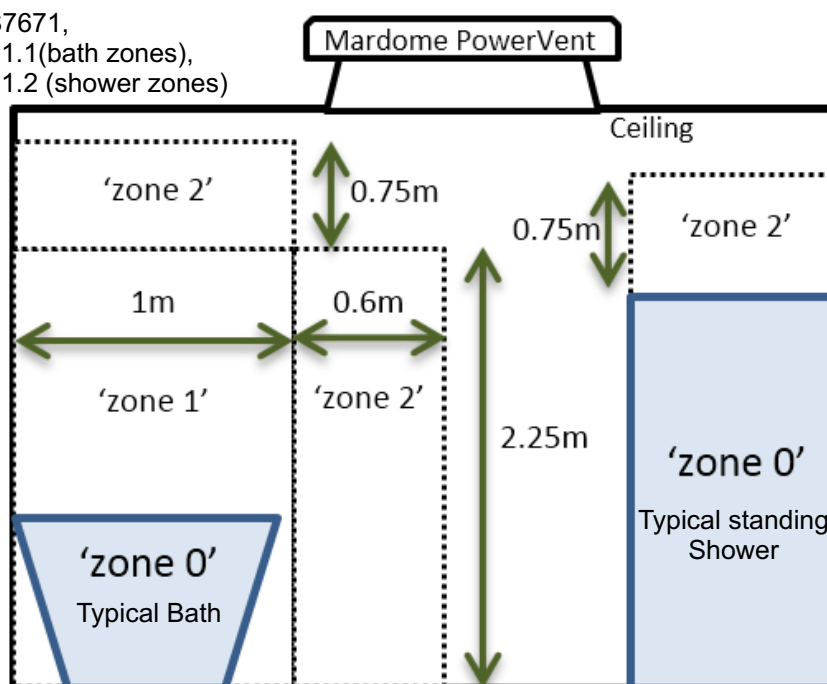
TECHNICAL SUPPORT: For any technical information/queries please contact your supplier.

Brett Martin Daylight Systems operates a policy of continuous product improvement, and reserves the right to alter specifications at any time without notice. Every effort has been taken to ensure all details contained in this document are correct at the time of going to press but this document should be used only as a guide and does not in any way form part of a contract or warranty. It is the customer's responsibility to ensure that the product is suitable for the actual conditions of use, which are beyond the control of Brett Martin Daylight Systems.

Warnings

- Isolate the mains power supply before attempting **any** installation or maintenance works.
- **Installation should be conducted by a qualified electrician to BS 7671**
- The device is not intended for use by young children or infirm persons unless supervised by a responsible adult to ensure safe operation.
- This product must not be used in explosive or corrosive atmospheres.
- Precautions must be taken to avoid the backflow of flue gasses into a room from gas, oil or open fire applications. If in doubt consult the Building Regulations.
- Kitchens with solid-fuel appliances should not have extractor fans fitted.
- The Mardome must not be sited where it will be subject to direct heat sources above 40°C and must not be installed directly above cookers in kitchens.
- Ensure the product is installed according to the correct part number and chapter in this manual.
- It must not be used in environments subject to prolonged high humidity levels, such as bathrooms containing showers. If sited in a bathroom, it must be located outside zones 0, 1 & 2 and accompanied by a 30mA RCD protector (see BS7671:2008 for clarification)

Source: BS7671,
diagram 701.1(bath zones),
diagram 701.2 (shower zones)



Bathroom Zones.

Mardome must be positioned outside of zones 0,1&2

Installation

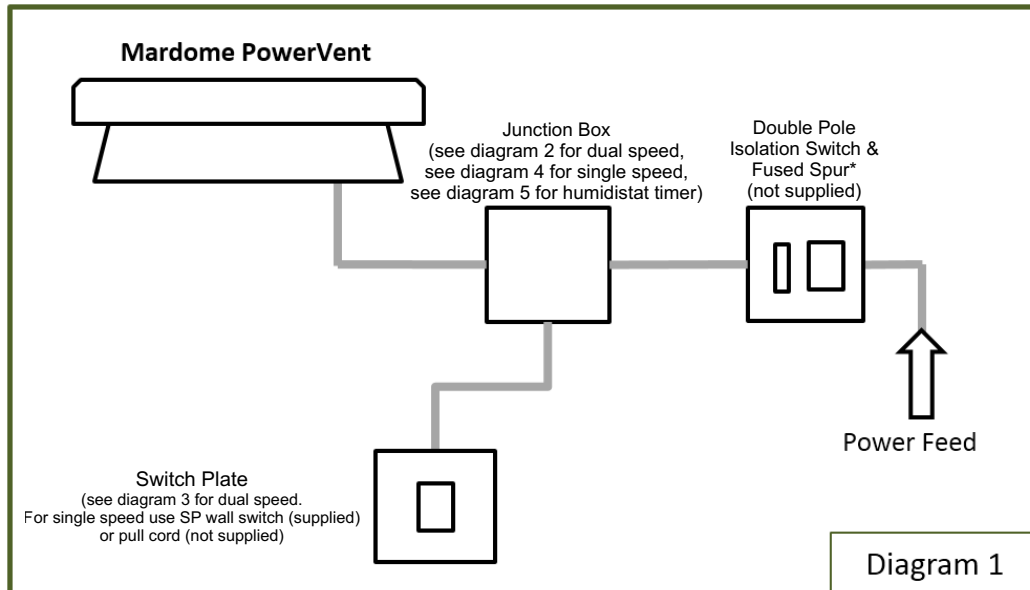
- Install the Mardome rooflight according to its specific instructions. **Do not lift or carry the Mardome near the vent grills on the exterior.**
- Pass the power and control cable through to the interior of the room (making watertight) and terminate in a junction box (Single Pattress), as close to the appliance as possible.
- Extend the wiring from this junction box to a suitable location on the wall for the control switch, consulting the property owner (& IEE wiring regs) for the best location.
- A Fused Double Pole Isolation Switch (not supplied) having minimum contact separation of 3mm must be used to provide isolation from the mains power supply. (PV1&2 – 3A fuse, PV3&4 – 5A Fuse)

©TECHNICAL SUPPORT: For any technical information/queries please contact your supplier.

Brett Martin Daylight Systems operates a policy of continuous product improvement, and reserves the right to alter specifications at any time without notice. Every effort has been taken to ensure all details contained in this document are correct at the time of going to press but this document should be used only as a guide and does not in any way form part of a contract or warranty. It is the customer's responsibility to ensure that the product is suitable for the actual conditions of use, which are beyond the control of Brett Martin Daylight Systems.

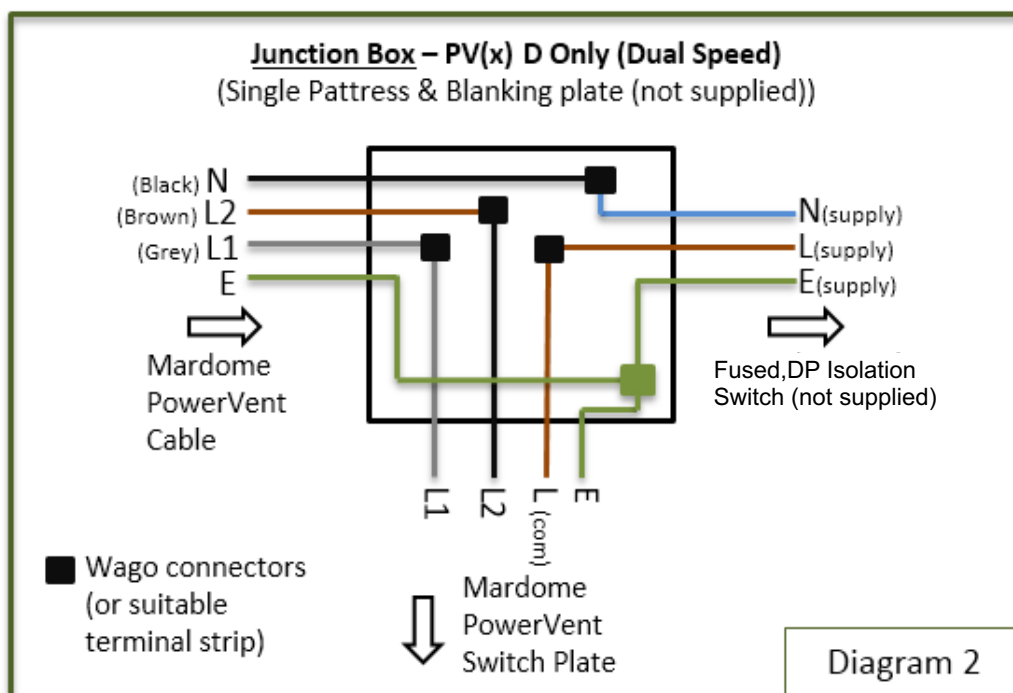
Wiring

- All wiring should comply with BS 7671
- 1.5mm² Three Core and Earth cable
- 1.0mm² Two Core and Earth cable



- * 3A Fused Spur (not supplied) required for PV1 & PV2,
- * 5A Fused Spur (not supplied) required for PV3 & PV4

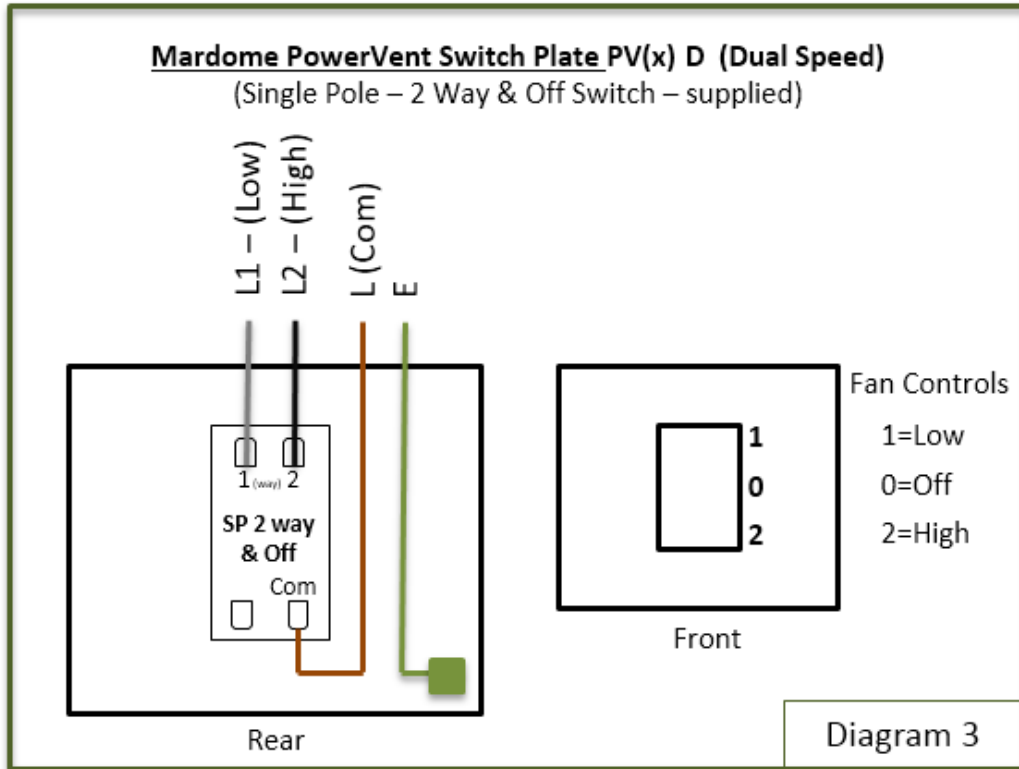
PV(x)D Only (Dual Speed)



©TECHNICAL SUPPORT: For any technical information/queries please contact your supplier.

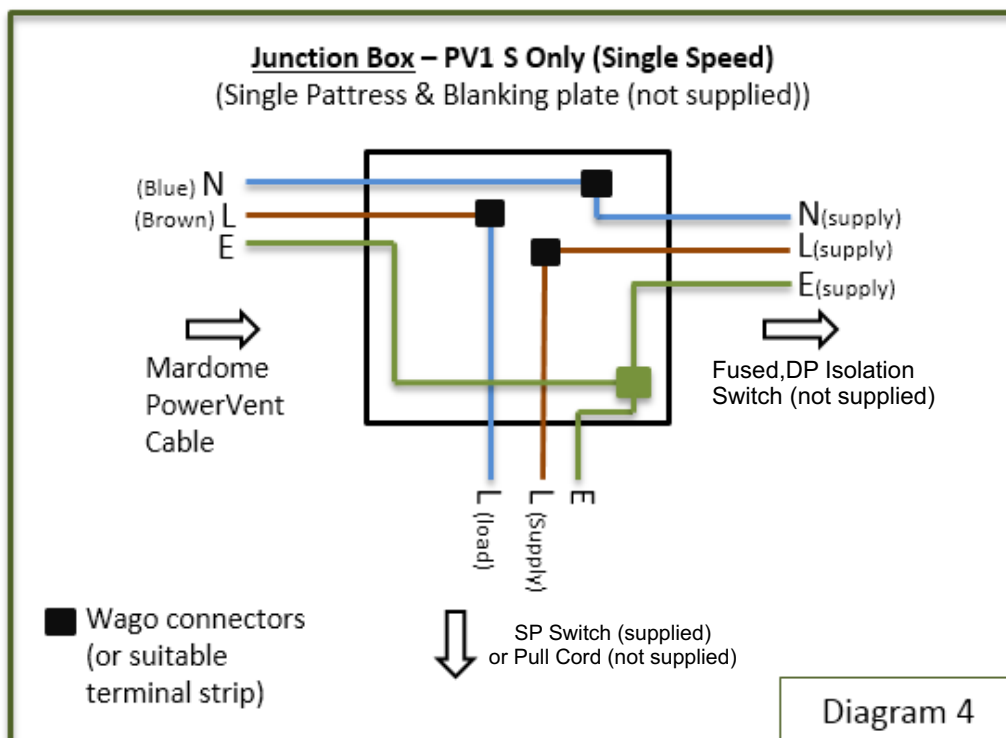
Brett Martin Daylight Systems operates a policy of continuous product improvement, and reserves the right to alter specifications at any time without notice. Every effort has been taken to ensure all details contained in this document are correct at the time of going to press but this document should be used only as a guide and does not in any way form part of a contract or warranty. It is the customer's responsibility to ensure that the product is suitable for the actual conditions of use, which are beyond the control of Brett Martin Daylight Systems.

PV(x)D Only (Dual Speed) continued



PV(x)S Only (Single Speed)

Note: Single speed variants can be controlled by either a pull-cord switch (not supplied) or a Single Pole wall-switch (supplied), OR by an optional humidistat for automatic operation - see page 5.

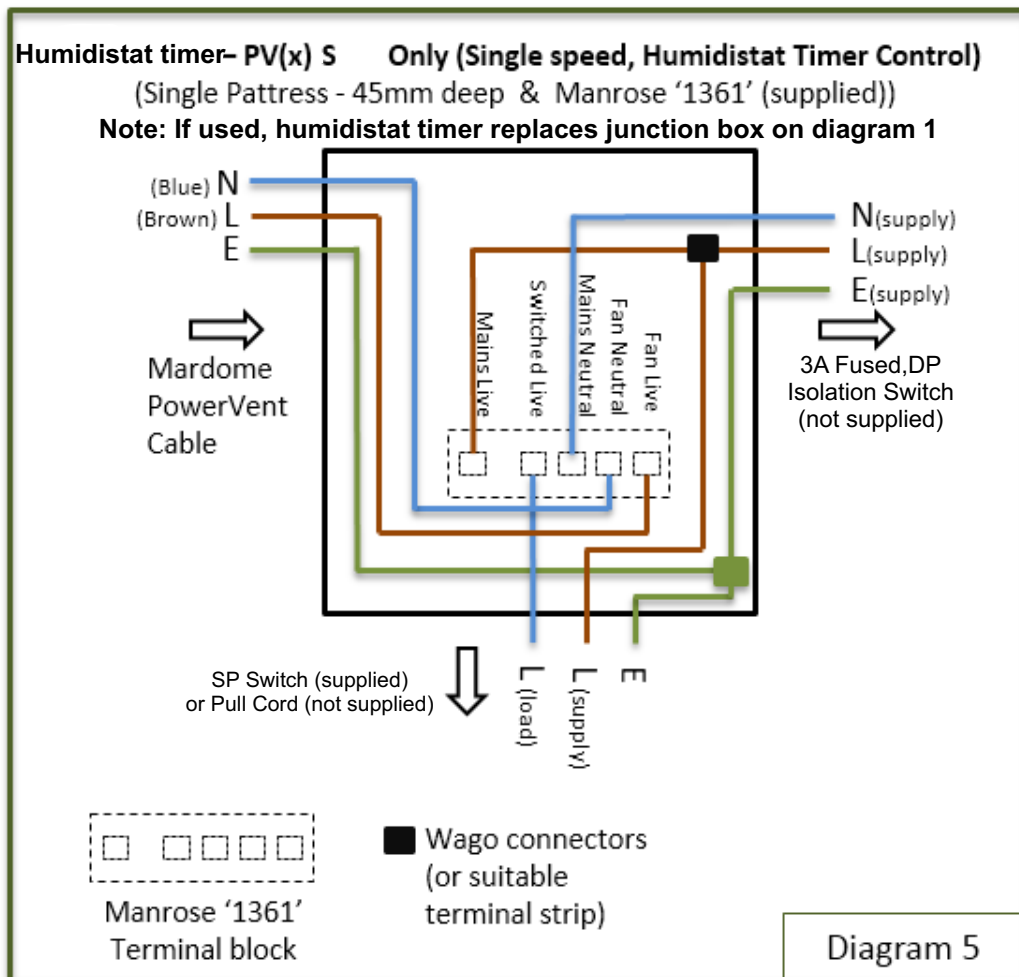


PV(x)S Only (Optional Timed Humidity Control for Single Speed Units)

Note: Single speed variants can be controlled with a Timed Over-run and Humidity sensor if required, with manual operation via a Single Pole wall-switch, pull-cord, or light switch. Product is supplied with a Manrose Remote Humidistat Fan Timer '1361' on request (at additional cost).

Set the Timer and Humidity controls as directed by the instructions included with the Humidistat Timer, ie:

- Humidity adjuster set to 'off' (humidity function disabled – timer only)
- Humidity adjuster set to '90%' (automatic control but rarely on)
- Timer adjuster set to 15mins (timed over-run of 15mins)
- Install wiring according to Manrose Instructions, use Diagram 5 for reference only.



General

- The Installation Engineer is responsible for demonstrating safe operation of the Mardome PowerVent to the end user or responsible person.
- Retain this instruction manual for future reference.

Maintenance

- **WARNING:** Isolate from mains supply before conducting maintenance.
- The metal fascia should be removed at least twice a year and the insides carefully vacuum cleaned using a soft brush attachment. Take care to avoid damaging the blower's rotor.
- The outside of the metal fascia can be cleaned with a damp cloth and mild detergent if needed, do not use solvents or abrasive cleaning fluids.
- The unit has self lubricating bearings which do **not** require oiling.

Specifications

Part Number	Speed	Control	Airflow (m ³ /hr) (@0pa)	Operating Current (A) 230V	Max Current (A) 230V	Typical Operating Power (W)
PV1S	High only	On / off switch	220	0.08	0.7	18.4
PV1D	Low/ High	2 way & off switch	55/220	0.03/0.08	0.7	6.4/18.4
PV2S	High only	On / off switch	440	0.16	1.4	36.8
PV2D	Low/ High	2 way & off switch	110/440	0.06/0.16	1.4	13.8/36.8
PV3S	High only	On / off switch	660	0.24	2.1	55.2
PV4S	High only	On / off switch	880	0.32	2.8	73.6

- 220-240VAC ~
- 47-63Hz / 1Ph
- 3A max
- Class 2 device
- IP23 Rated

Tested to:

- Low Voltage Directive
 - EN60335-1:2012
 - EN60335-2-80:2003 + A2:2009
- EMC
 - BS EN 55014-1:2006 + A2:2011
 - BS EN 55014-2:1997 + A2:2008
 - BS EN 61000-3-2:2006 + A2:2009
 - BS EN 61000-3-3:2008

Tested by the CE Marking Association