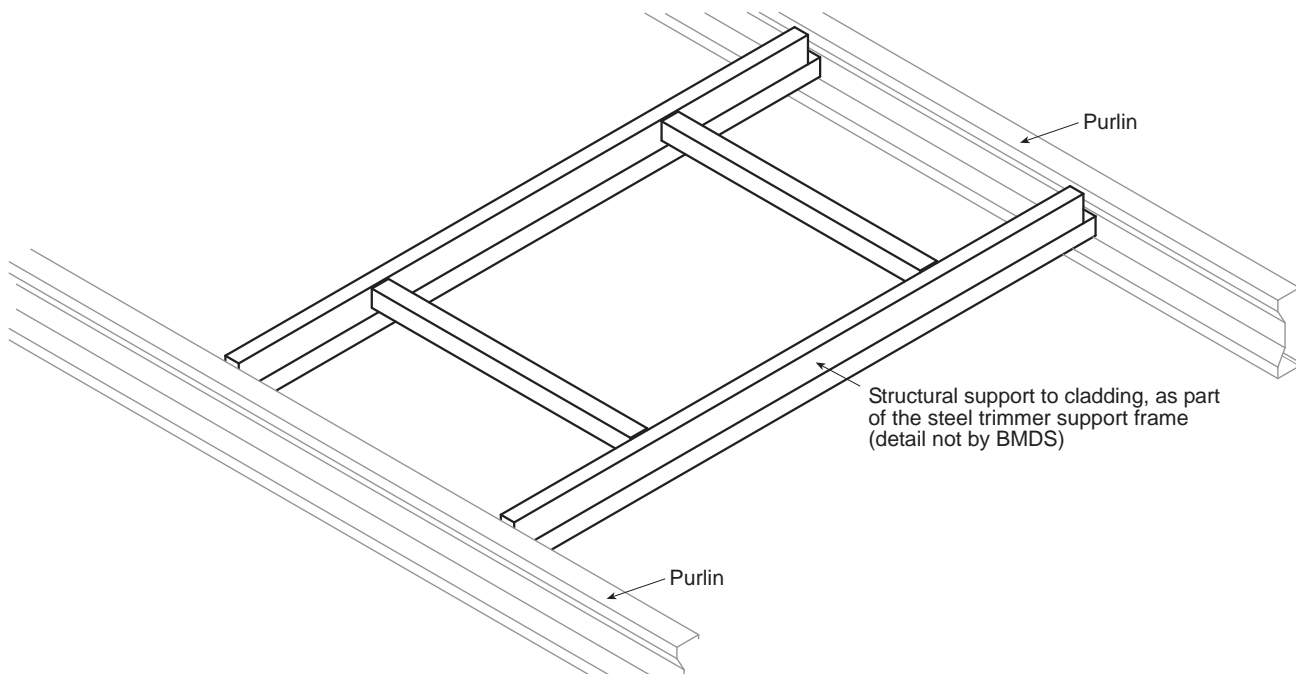


## INSTALLATION INSTRUCTIONS: Mardome Soaker - composite roof

### INTRODUCTION

The Mardome Soaker is specifically designed to fit into typical roof cladding allowing the installation of the Mardome rooflight.

When fitting the Mardome Soaker it is important to fully support the cladding around the perimeter of the rooflight opening, this will necessitate a steel trimmer support (not detailed or supplied by BMDS).



### Mardome Soaker - installation details

#### 1 MAIN FASTENERS

5.5mm diameter fasteners fitted with minimum 19mm diameter washers with soft (40 shore hardness) bonded seal. Do not over tighten fixings. There should be at least five main fixings per purlin, fitted in the trough, max 250mm apart. For profiles where pitch between corrugations is over 200mm, there should be two fixings per trough, with the fixings located either side of each main corrugation. \*See below for typical references

#### 2 SIDE STITCH & PERIMETER FASTENERS

Side stitch at approx. 500mm centres using standard stitching screws. \* See below for typical references

#### 3 SIDELAP SEALANT

Single strip (6x5mm section) of UV stable pale coloured cross linked butyl mastic (BMDS: GCA) - positioned on the crown of the sheet just outside the line of sidelap fasteners.

#### 4 ENDLAP SEALANT

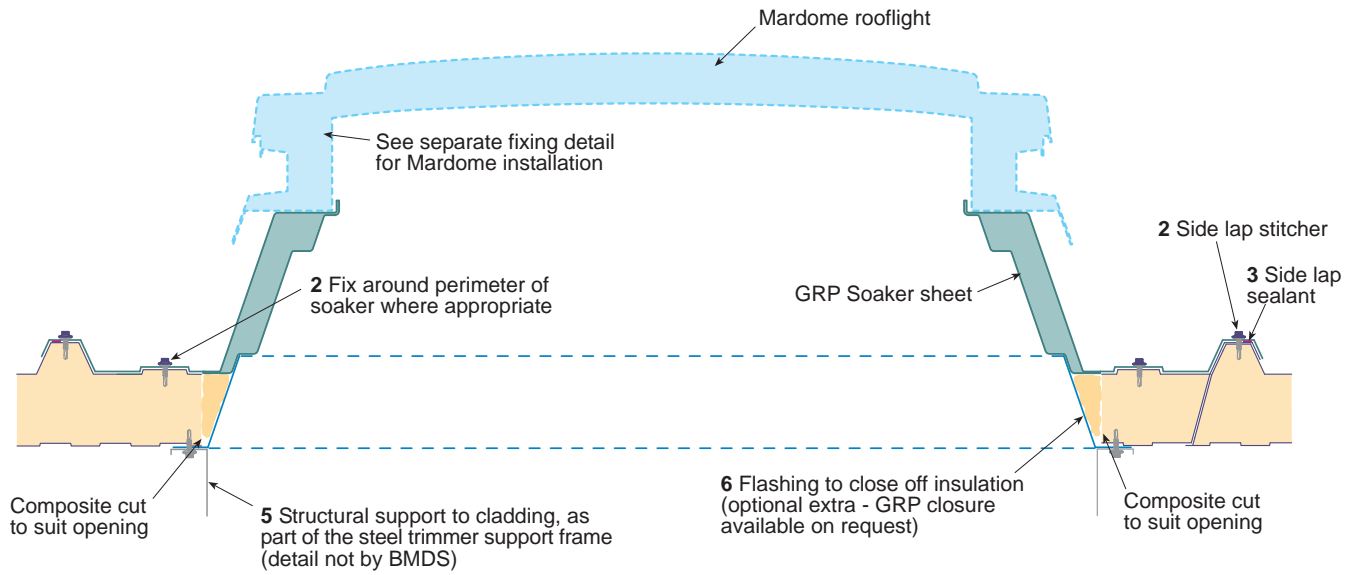
Endlaps should be sealed with 2 beads of 8mm diameter round section, UV stable, pale coloured cross linked butyl mastic (BMDS: GCA). These should be positioned above and below the line of fixing, no more than 25mm from the line of fasteners. If a seal is required at the tail of the lap, gun applied silicon (ISO11600-F-25LM) should be used.

5 The composite cladding requires full structural support around the perimeter of the rooflight opening.

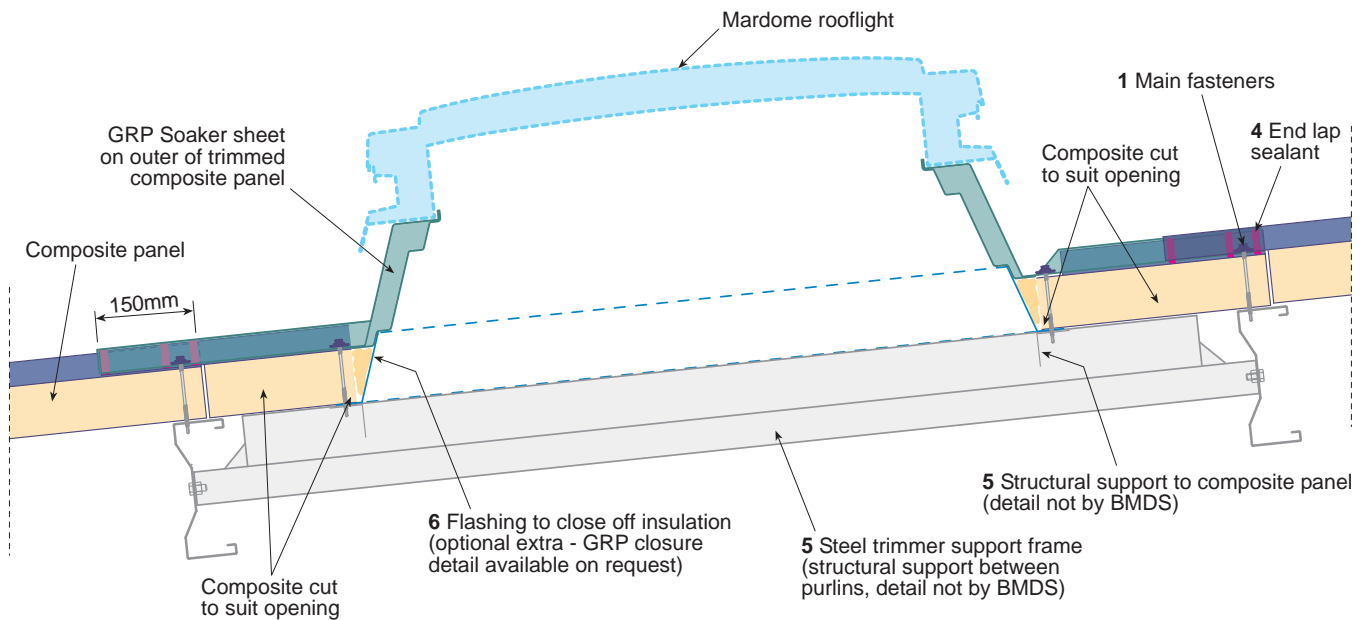
6 The closure flashing can be supplied by the contractor and fabricated to suit the rooflight opening. An optional four sided GRP closure flashing is available on request, this will need to be cut to the desired depth and the cladding trimmed to suit.

*	Stainless Steel	Carbon Steel
<b>Main Fasteners</b>	SFS SXCP5-S19-5.5 x <i>length</i> or EJOT CF19-JT3-D-6H-5.5 x <i>length</i>	SFS SDT5-L12-S19-5.5 x <i>length</i> or EJOT CF19-LSHT-5.5 x <i>length</i>
<b>Side Stitch &amp; Perimeter fasteners</b>	SFS SXP3/12-A16-6x35 or EJOT CF15-JT3-2H-5.5x30	SFS SDL3-L12-T15-5.5x25 or EJOT CF15-SF-6.3x25

## CROSS SECTION: Mardome Soaker



## ENDLAPS - Mardome Soaker



Daylight Systems

Alderman's Green Ind Est Coventry CV2 2QU Tel: 024 7660 2022 daylight@brettmartin.com [www.daylightsystems.com](http://www.daylightsystems.com)

Brett Martin Daylight Systems operates a policy of continuous product improvement, and reserves the right to alter specifications at any time without notice. Every effort has been taken to ensure all details contained in this document are correct at time of going to press but this document should be used only as a guide and does not in any way form part of a contract or warranty. It is the customer's responsibility to ensure that the product is suitable for the actual conditions of use, which are beyond the control of Brett Martin Daylight Systems.