

## IMPACT RESISTANCE

Of all glazing materials polycarbonate exhibits greatest resistance to impact over a temperature range of -20 to +100oC. It is approximately 200 times more resistant to impact than glass.

The impact test illustrated in Fig 1 demonstrates the impact resistance of Marlon products.

A striker of diameter 16 mm contacts a sample of sheet placed on a support ring with an inner diameter of 38 mm. A weight of 1.8 kg is dropped on to the striker from a height of 1.5 m. The resulting impact energy of 27 Nm only dents the sample; it does not crack or penetrate

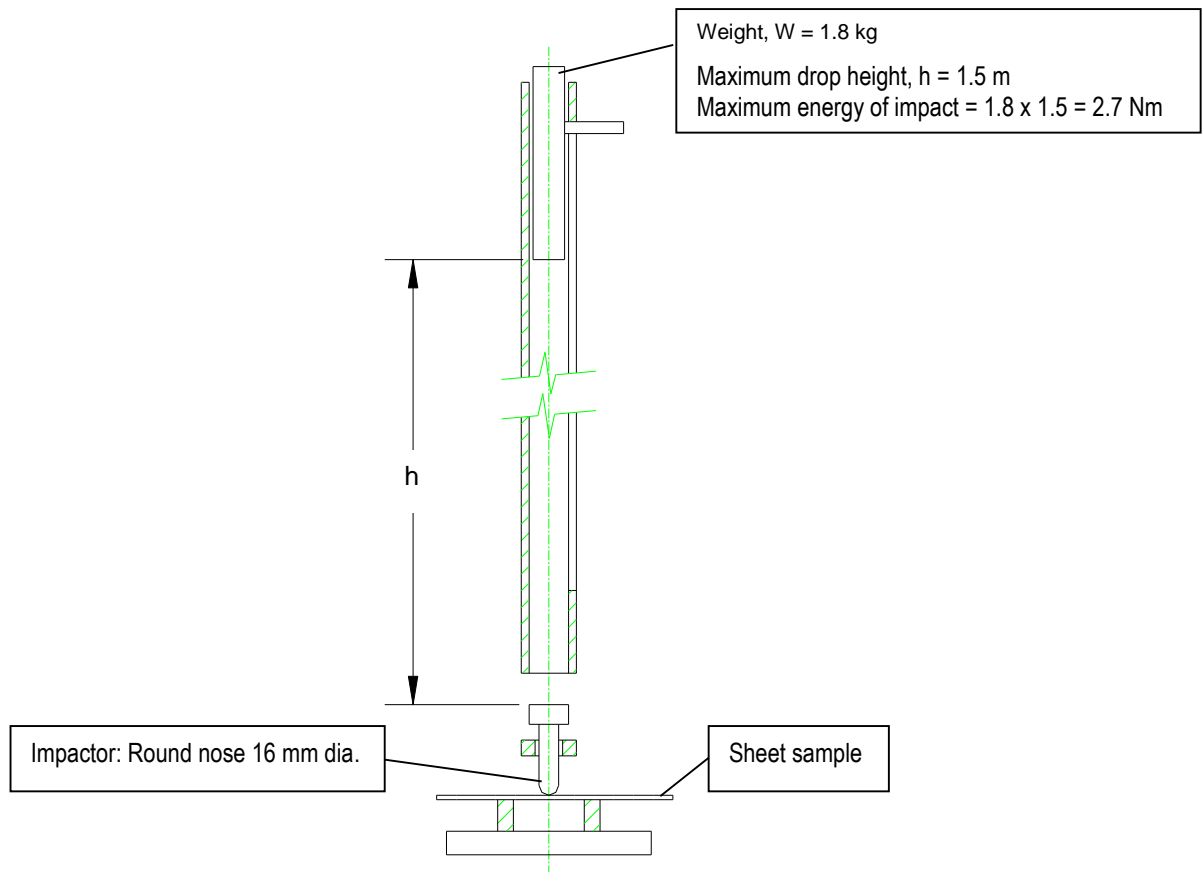


Fig 1. Impact resistance test



Brett Martin Ltd. pursues a policy of continuous product development and reserves the right to amend specifications without notice.

Brett Martin Ltd., 24 Roughfort Road, Mallusk, Co. Antrim, N. Ireland, BT36 4RB.  
Tel: +44 (0)28 9084 9999 Fax: +44 (0)28 9083 6666 E-mail: technical@brettmartin.com

Ref. Code: P\_Prop\_Impact\_Resistance  
09.11.2015