

Plumbing & Drainage

Twinwall Multi-Fittings

Compatibility & Installation Guide

List of BBA-certificated polyethylene twinwall pipes and associated seals suitable for use with Brett Martin Twinwall Drainage Fittings described in BBA Certificate I0/H168



MANUFACTURERS PIPE COMPATIBILITY WITH ASSOCIATED SEALS

BBA Certificate Number ¹ , Product/Detail Sheet Number ²	Manufacturer	Sheet Issue Number/Date	Nominal size of pipe (mm)
02/H068, PS6 ⁽³⁾	Polypipe	Third issue 26 April 2018	150, 225, 300
02/H069, PSI ⁽²⁾	JFC	Second issue 20 January 2016	150, 225, 300
02/H070, PSI ⁽¹⁾	Wavin	First issue 19 October 2009	150, 225, 300
09/H145, PSI ⁽⁵⁾	Naylor Drainage	Fifth issue 02 July 2018	225, 300
07/H130, PSI ⁽²⁾	Cherry	Second issue 03 December 2013	150, 225, 300

MANUFACTURERS PIPE COMPATIBILITY WITH BRETT MARTIN SEALS

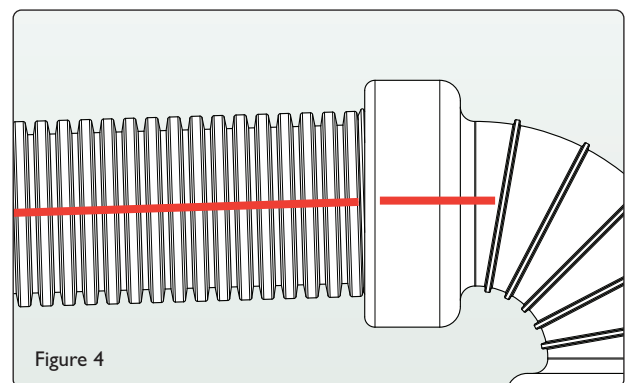
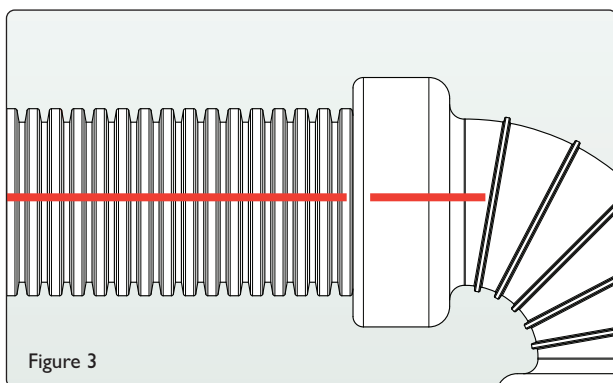
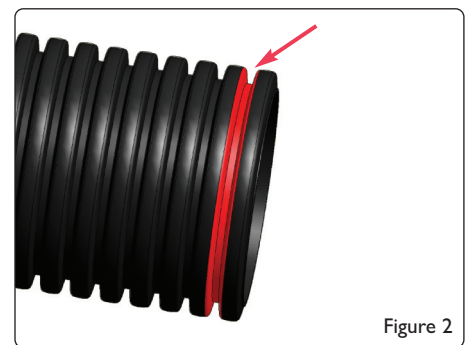
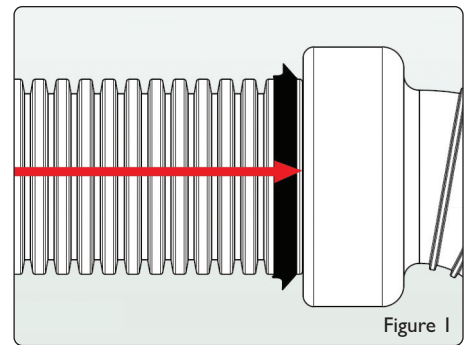
BBA Certificate Number ¹ , Product/Detail Sheet Number ²	Manufacturer	Sheet Issue Number/Date	Nominal size of pipe (mm)
02/H068, PS6 ⁽³⁾	Polypipe	Third issue 26 April 2018	150, 225, 300
02/H069, PSI ⁽²⁾	JFC	Second issue 20 January 2016	150, 225, 300
02/H070, PSI ⁽¹⁾	Wavin	First issue 19 October 2009	150, 225, 300
09/H145, PSI ⁽⁵⁾	Naylor Drainage	Fifth issue 02 July 2018	150, 225 ³ , 300
07/H130, PSI ⁽²⁾	Cherry	Second issue 03 December 2013	150, 225, 300

General notes

- ¹ Please ensure you are using the current Certificate and Product/Detail Sheet by visiting the BBA website: www.bbacerts.co.uk on which these documents are available.
- ² The Certificate number and Product Sheet number are found on the top right of the front page of the Certificate and the issue number and date of issue are on the bottom left of the front page of the Certificate.
- ³ 33 dwells per metre length

Assembly of Twinwall Pipe and Fittings

1. Always use the Brett Martin seal provided or the pipe manufacturers recommended seal.
2. On the pipe, lubricate the groove between the ribs into which the seal will be inserted. Industry recommended lubricants should be used, such as water based gel or fluid, or a silicone spray.
3. When using Brett Martin seals always place seal on pipe between the 1st and 2nd rib. PLEASE NOTE Brett Martin 150mm Seal has to oriented correctly as per below diagram (see figure 1).
4. When using manufacturers pipe follow the pipe manufacturers recommendations into which groove the seal should go i.e. between the 1st and 2nd rib or between the 2nd and 3rd rib. We would always recommend between the 1st and 2nd rib as this ensures the seal reaches greatest depth in the socket (see Figure 2).
5. Lubricate the inside of the socket using industry recommended lubricants.
6. Put the end of the pipe into the socket mouth.
7. Line up the axis of the pipe with the axis of the socket i.e. get the pipe and socket in a straight line (Figure 3).



8. If any difficulty is encountered, start with the pipe at a slight angle to the socket, this will give a small lead for the seal into the socket (Figure 4).
9. Push the pipe into the socket until it is inserted to maximum depth.
10. Mechanical aid (e.g. bar and lever) may be required on larger diameter fittings and pipe. Place a plate over the end of the pipe to spread the load evenly and prevent damage.